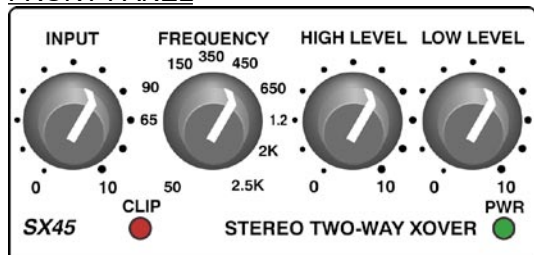


INTRODUCTION

Thank you for your purchase of the SX45 Tiny Two-Way Crossover. The SX45 is designed and manufactured to provide years of service. Modern sound reinforcement applications require clean, precise signal dividing for maximum efficiency and best sound. The SX45 circuitry provides just that function. Please review this manual to get the best performance from this unit.

DESCRIPTION

FRONT PANEL



INPUT: Adjusts the input level to the SX45.

FREQUENCY: Selects the crossover frequency from 50Hz to 2.5kHz.

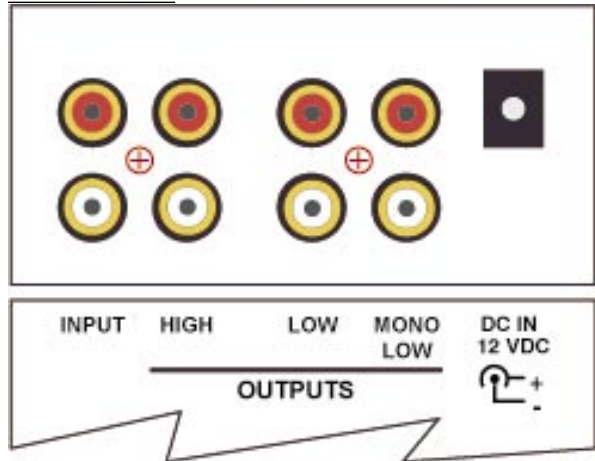
LOW LEVEL: Adjusts the amount of output signal from the LOW OUT jacks.

HIGH LEVEL: Adjusts the amount of output signal from the HIGH OUT jacks.

CLIP LED: Indicates overload in the SX45. This LED lights 3 dB before actual circuit clipping occurs.

PWR LED: Indicates the SX45 power supply is connected to the unit and an AC outlet.

REAR PANEL



(Note: The rear panel jacks are labeled on the top of the unit.)

INPUT: Dual RCA jacks for connecting to the output of a mixer or other device containing the signals to be divided.

HIGH OUT: Dual RCA jacks containing the signal of frequencies *above* the crossover frequency.

LOW OUT: Dual RCA jacks containing the signal of frequencies *below* the crossover frequency.

MONO LOW OUT: Dual RCA jacks with a mono, combined signal from the stereo Low Out jacks.

DC IN: For connection to an external power supply, 12-16 volts DC, 150 mA; Rolls model PS27.

... anywhere you need compact, accurate frequency separation.

ROLLS

- Studio
- Live
- Install

SX45 Stereo Two-Way Crossover

SX45 Crossover

ROLLS

SX45

Stereo Two-Way Crossover

The SX45 is a unique frequency dividing device for small sound reinforcement applications. The unit features a 12 dB/Octave rolloff rate, a frequency dividing range of 50Hz to 2.5kHz, and an external power supply for noise reduction. All this in a compact package with a compact price.

- 12 dB/Octave rolloff
- Stereo RCA Input and Outputs
- 50Hz to 2.5 kHz crossover range
- Mono Sub Output

SPECIFICATIONS

Input Impedance:	10K Ohm
Output Impedance:	1K Ohm
Headroom:	+10 dBV
Power Requirements:	12 - 16 VDC, 150 mA; Rolls part number PS27
Size:	4.25" x 3.625" x 1.5"
Weight:	1 lb.

WARRANTY

For information on the Rolls One Year Limited Warranty, and to register this product, visit our website at www.rolls.com

ROLLS

Rolls Corporation
Salt Lake City, UT
10/06



SX45 Stereo Crossover



6 75889 00450 2

OPERATION

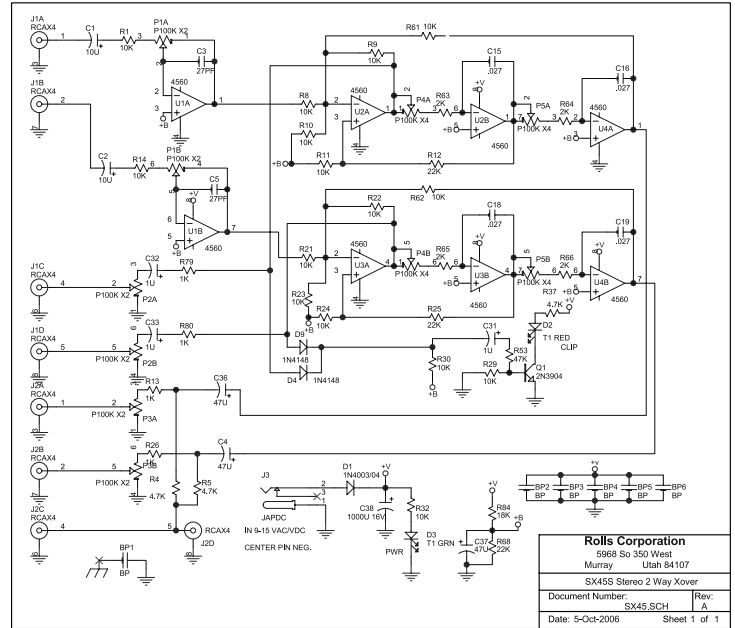
NOTE: This manual assumes the user has a basic knowledge of audio electronic components and connections.

Shown below is an example connection diagram for the SX45; a stereo line-level input to stereo low and high level outputs, along with a subwoofer output.

Connect the Inputs of the SX45 to the output of a mixer or other device containing the stereo signal to be divided. This signal should be Line-Level, or reference 0 to +4 dB. The High and Low Outputs should be connected to the proper amplifier and speaker combination. Check speaker specifications to ensure that the speakers are receiving the proper frequencies.

Set all SX45 Levels to zero. Begin by applying signal from the mixer/signal source to the SX45. Carefully increase the Input Level until you see the Clip LED begin to blink. Slightly reduce the Input Level from this point. This should insure a proper input signal level without clipping, thereby giving you the best noise performance. Set your amplifiers to their normal operating level (many amplifiers are simply set at their full volume level). Carefully begin increasing the SX45 High and Low Level controls until you reach a desired and balanced volume level.

SCHEMATIC



From stereo source such as a mixer, AM/FM tuner, CD player, etc.

